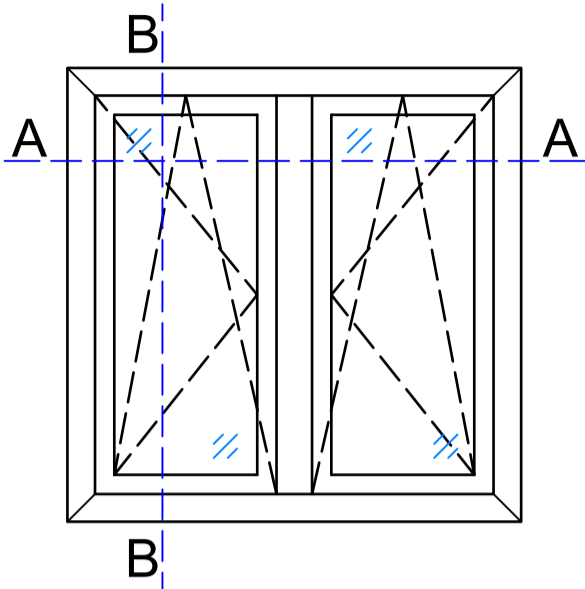
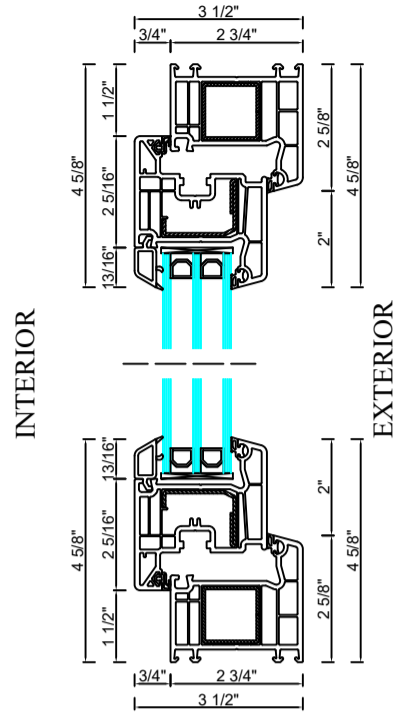


OUTSIDE VIEW



Vertical cross section B-B

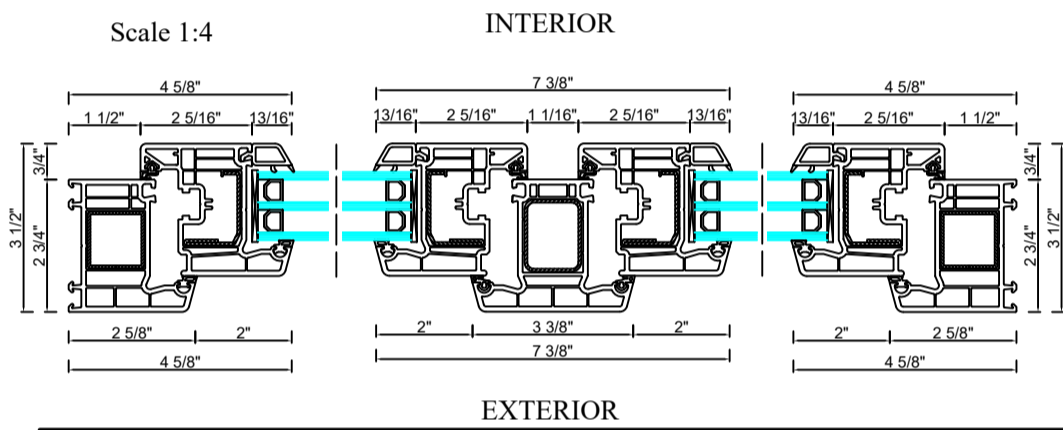
Scale 1:4



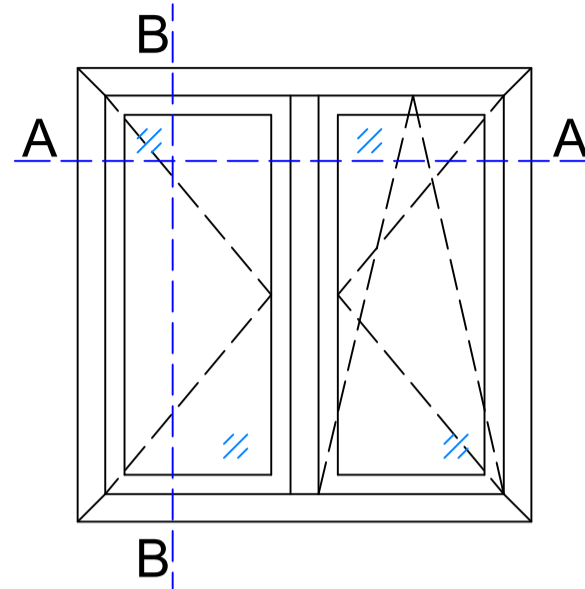
Windows type: **Tilt&Turn**

Horizontal cross section A-A

Scale 1:4

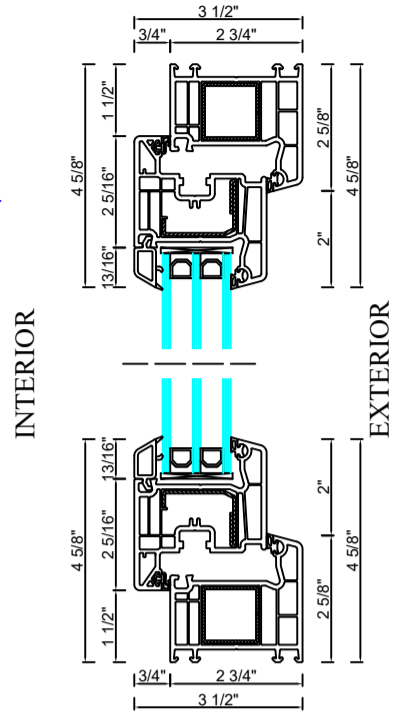


OUTSIDE VIEW



Vertical cross section B-B

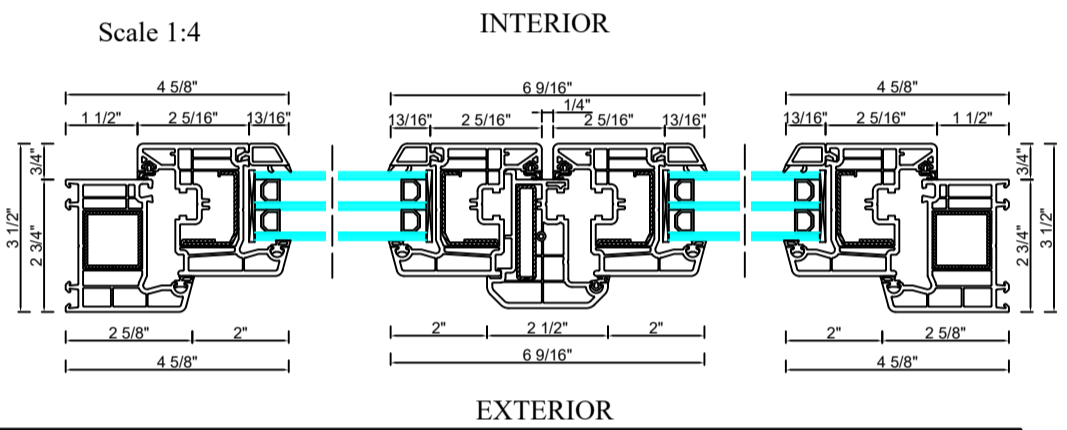
Scale 1:4



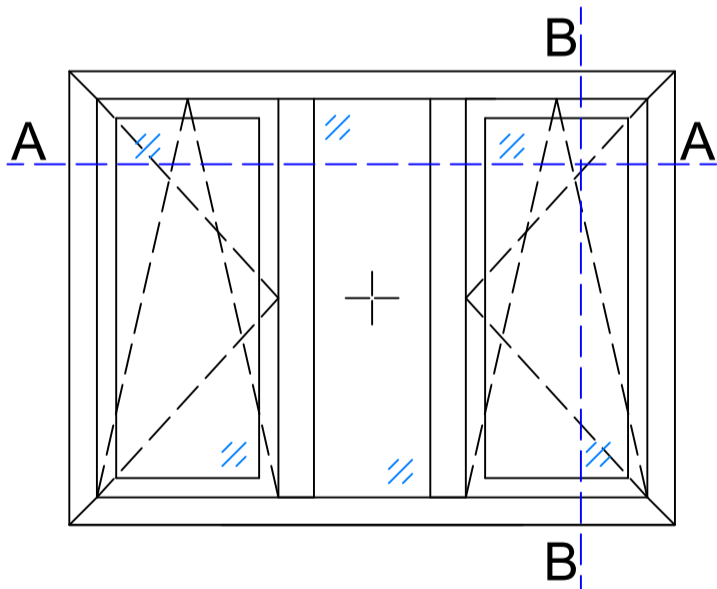
Windows type: **Tilt&Turn + Turn**

Horizontal cross section A-A

Scale 1:4

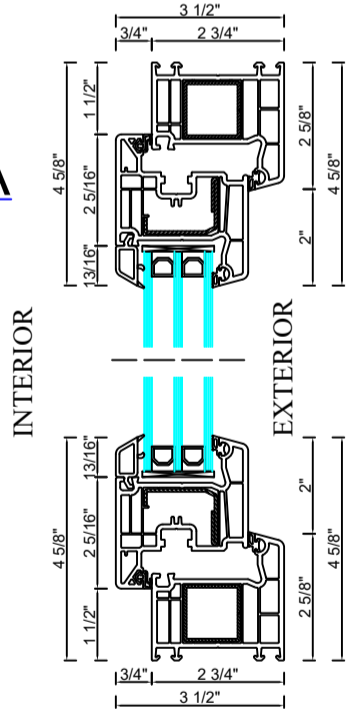


OUTSIDE VIEW



Vertical cross section B-B

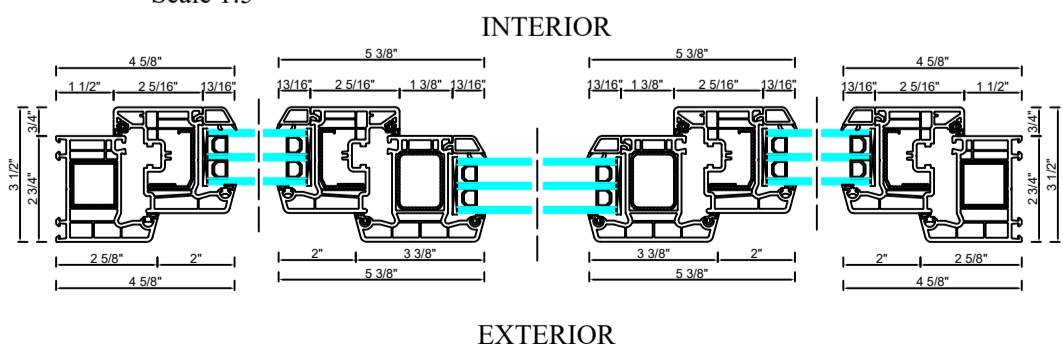
Scale 1:4



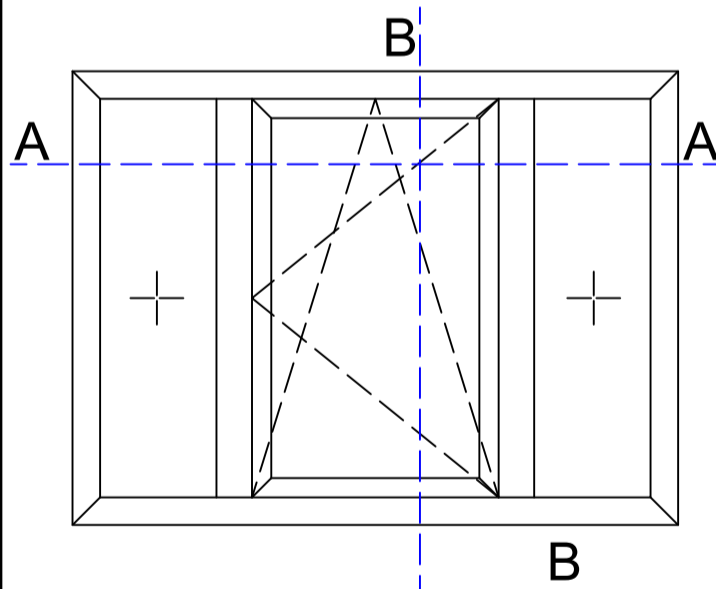
Windows type: **FIX + Tilt&Turn**

Horizontal cross section A-A

Scale 1:5

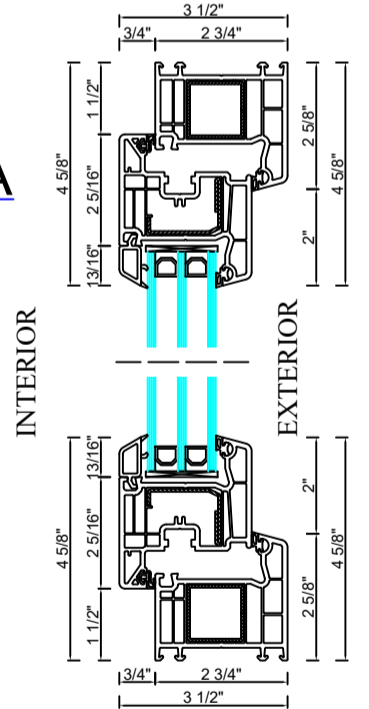


OUTSIDE VIEW



Vertical cross section B-B

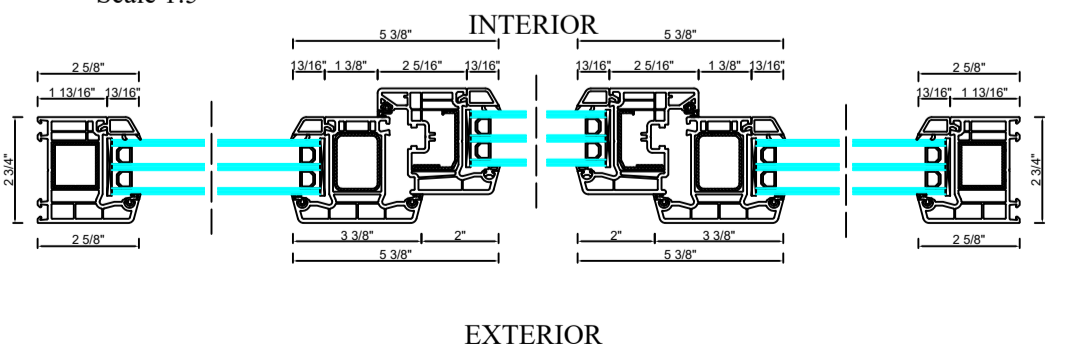
Scale 1:4

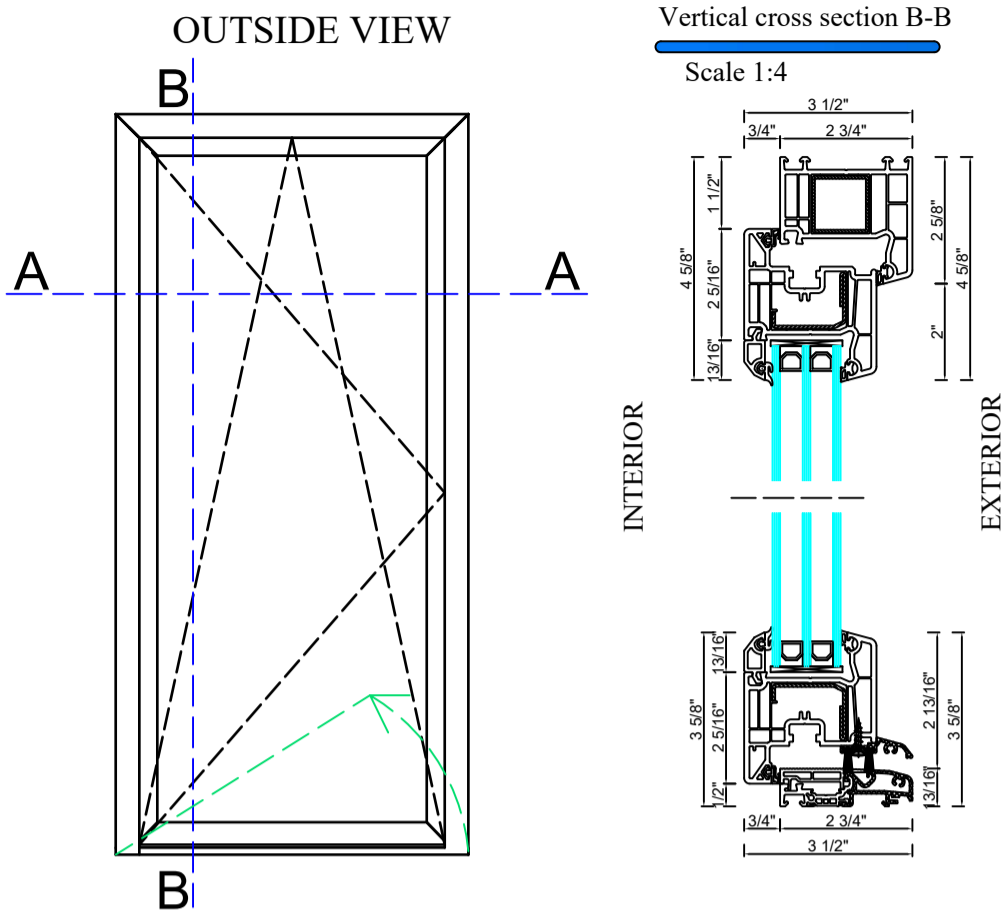


Windows type: **FIX + Tilt&Turn**

Horizontal cross section A-A

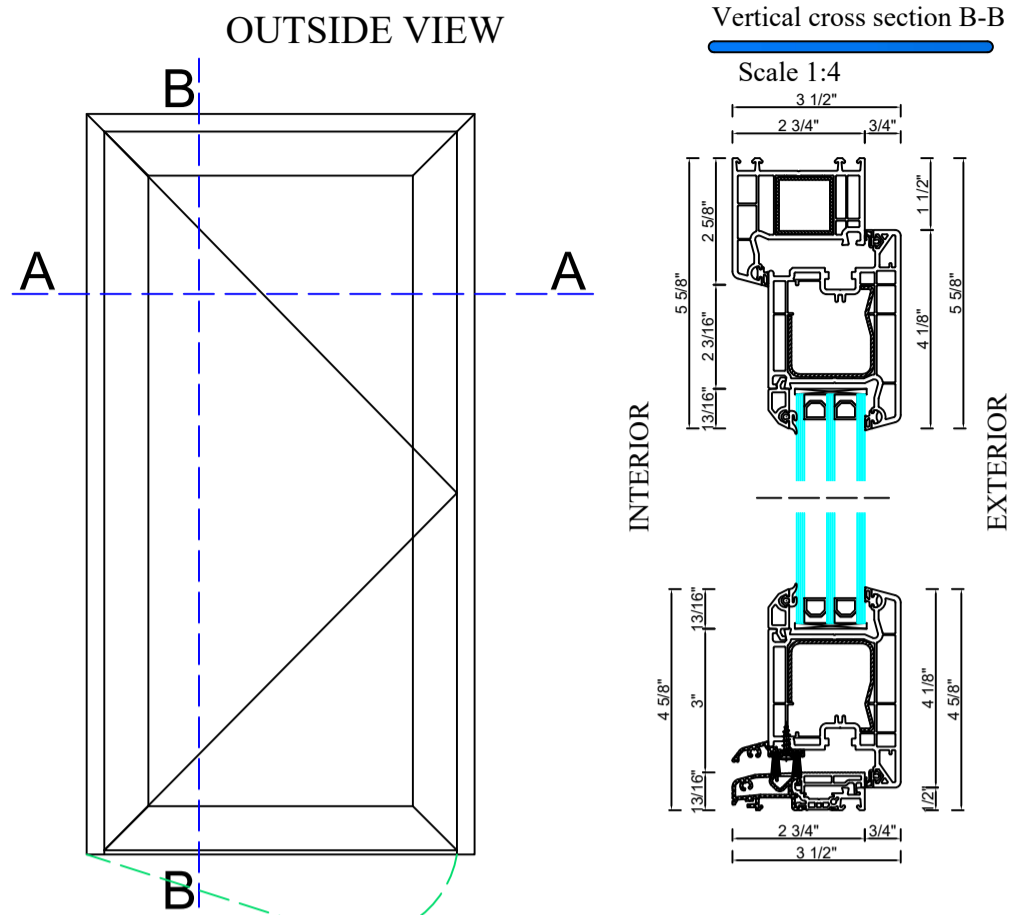
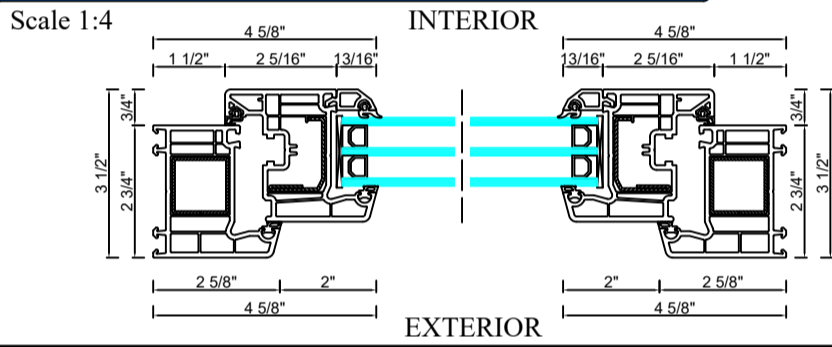
Scale 1:5





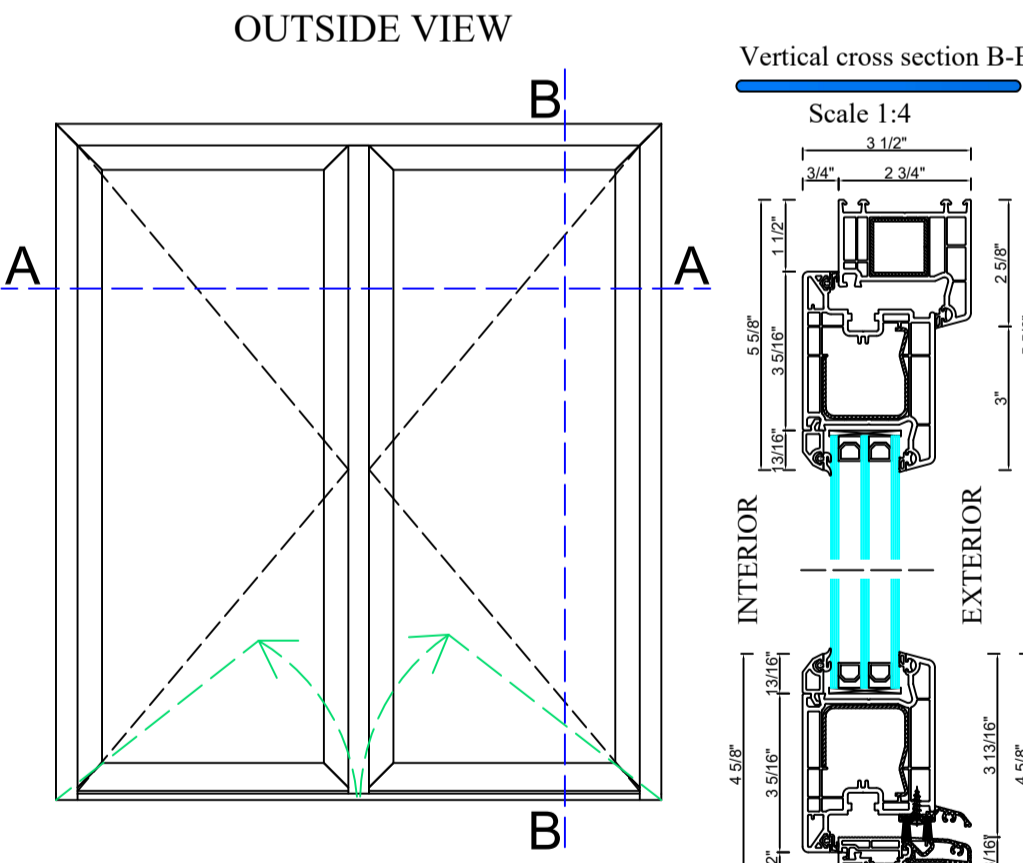
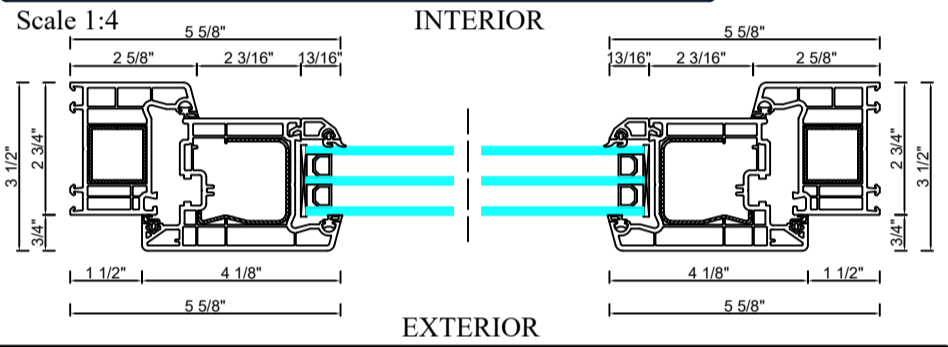
Door type: **Balcony**

Horizontal cross section A-A



Door type: **Outswing**

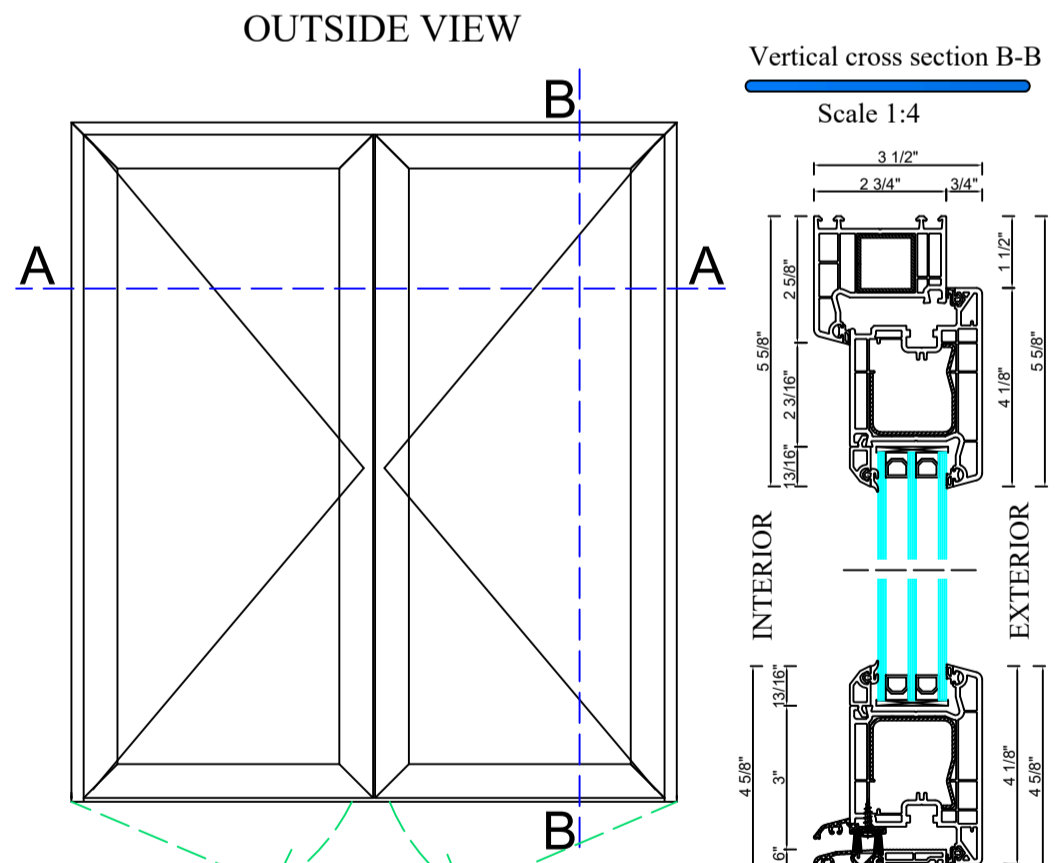
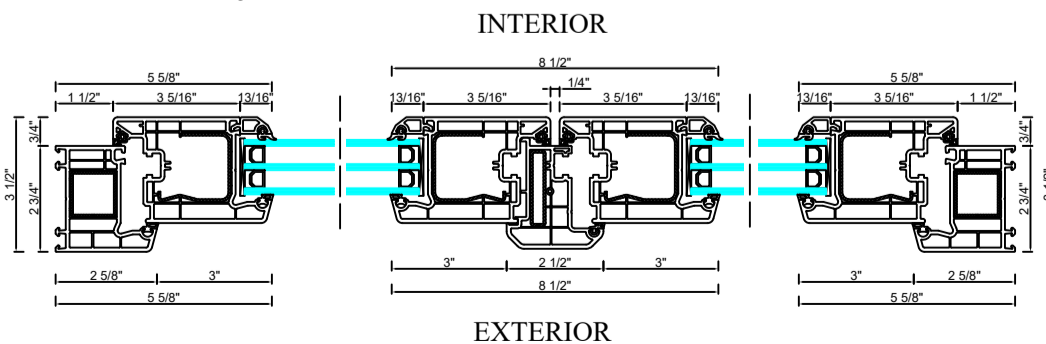
Horizontal cross section A-A



Door type: **Inswing**

Horizontal cross section A-A

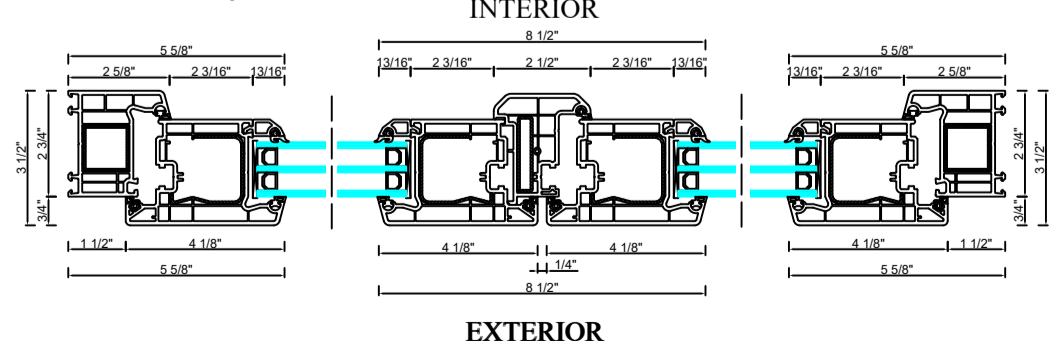
Scale 1:5

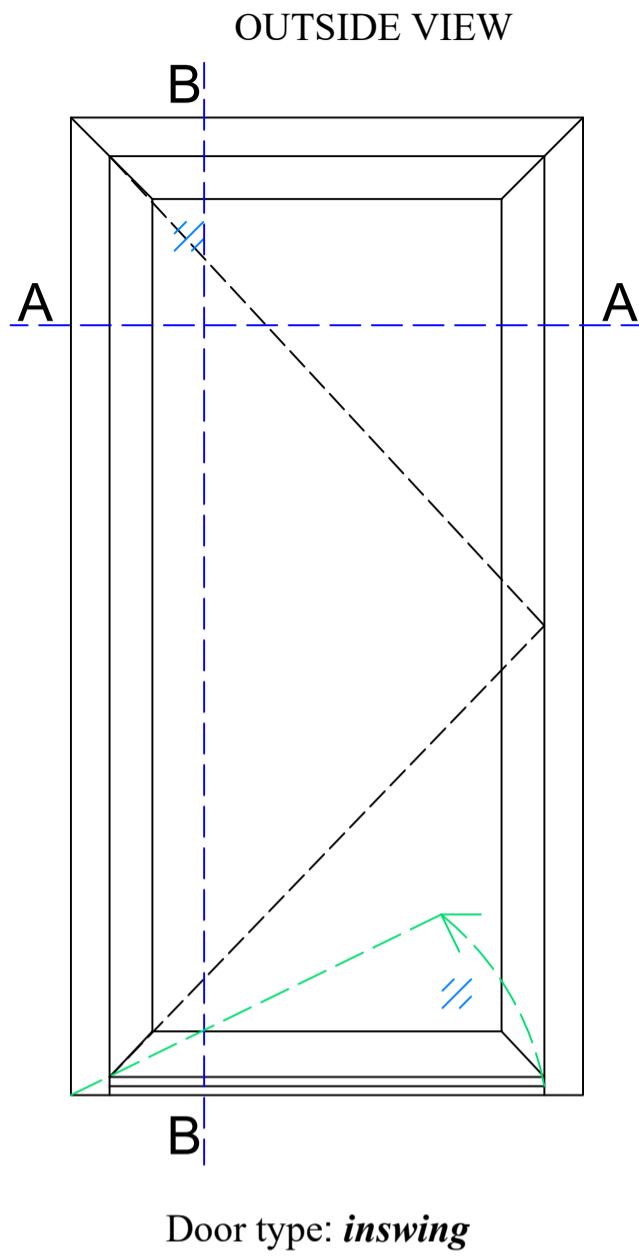


Door type: **Outswing**

Horizontal cross section A-A

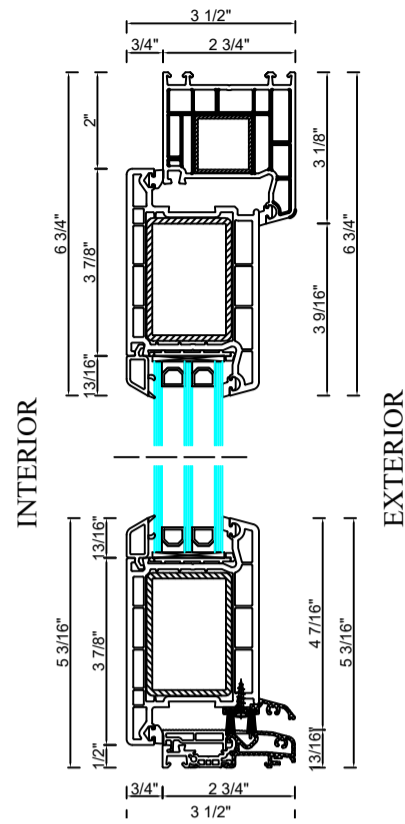
Scale 1:5





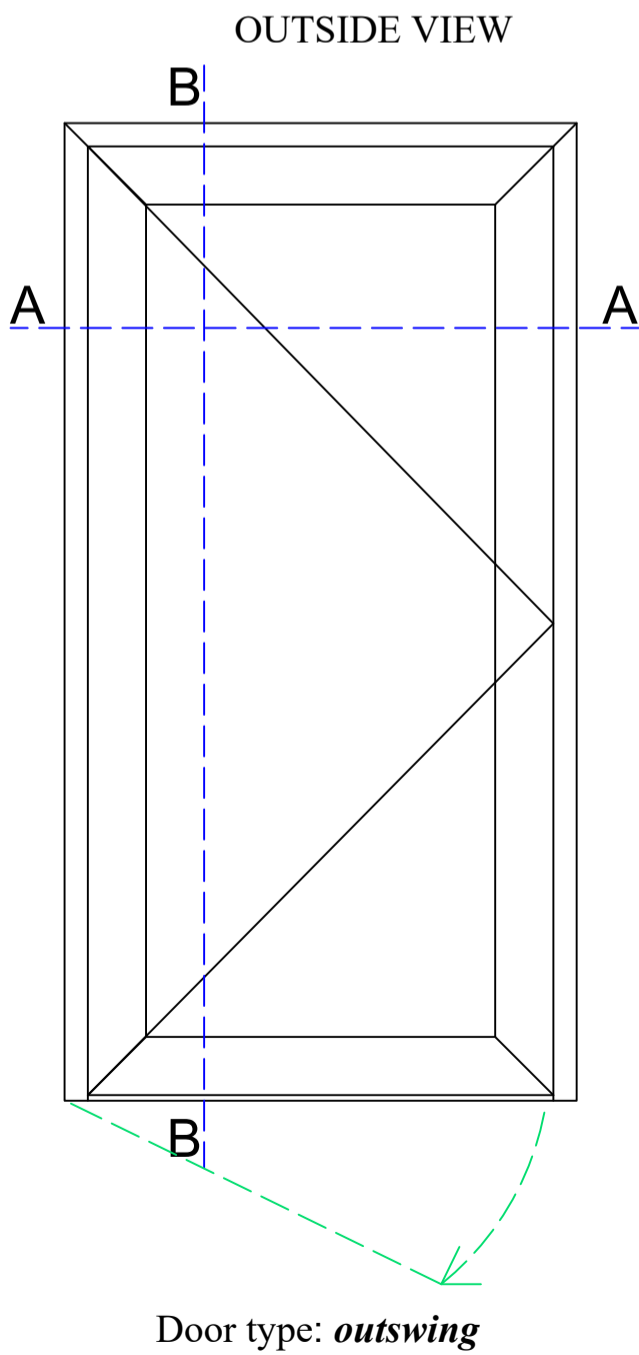
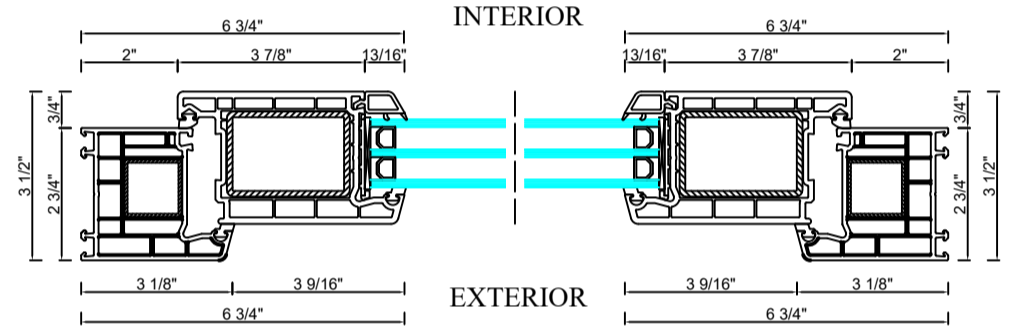
**Vertical cross section B-B**

Scale 1:4



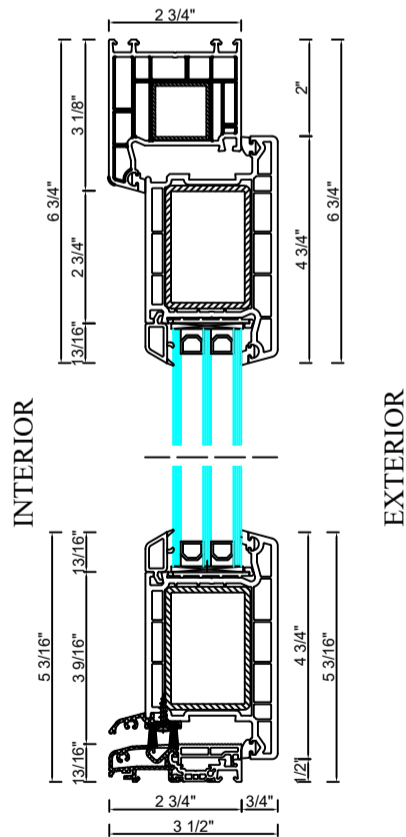
**Horizontal cross section A-A**

Scale 1:4



**Vertical cross section B-B**

Scale 1:4



**Horizontal cross section A-A**

Scale 1:4

